

DZ30-32 (DPN) Mini Circuit Breaker >>>



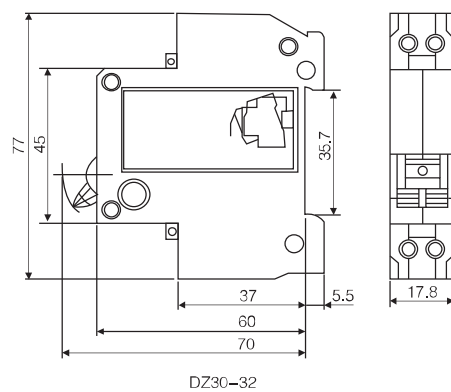
1.Application

DZ30-32 series Mini Circuit Breaker is mainly used in AC50HZ or 60HZ, rated 230V, rated current to 32A for overload and short-circuit protection as well as for unfrequented switching under normal case, especially applicable in lighting distribution system of industry and commercial. This product conform to GB10963, IEC60898 standard.

2.Main specification:

AS per rated current: 6A, 10A, 16A, 20A, 25A, 32A total 6 types.
Instantaneous release type: C type (5In~10In)
Operated short-circuit capacity: 4500A
Mechanical and electrical life: >4000 times.

3.Dimension & mounting



nonarc
Zhejiang Nonarc Electric CO.,LTD>>

