

### NQ3 Dual Power Automatic Transfer Switch

#### Application:

NQ3 series dual power automatic transfer switches (follow brief as setting) is one of adopted international technology developed by our company. The setting is suits for AC 50Hz, rated working voltage is 400V, rated current 6A-100A and under dual power supply system. It has over voltage, under voltage, lost phases protection function. The setting mainly used for hospital, shopping center, bank, and chemical industry, metallurgy, high building, military facilities.

#### Standards

IEC 947-6-1(1989)《Automatic Transfer Switch Electric Equipment》.

#### Environment conditions for operation and installation:

- ◆ Ambient temperature: -5℃ – +40℃, and average temperature in 24 hours below +35℃ (except for special orders).
- ◆ Elevation of installation site: ≤ 2000m
- ◆ Relative humidity: not exceeding 50% at the maximum ambient temperature of +40℃. With lower temperature, higher humidity would be permitted, but the lowest average temperature in a month not exceeding 90% in that month, and giving consideration to the dews on the goods surface, which would appear due to temperature change.
- ◆ Pollution protection: 3 grade
- ◆ The breaker should be put in the place where there isn't any explosive medium and conductive dust and no gas, which would corrode metal or destroy the insulation.

#### The main technology parameter:

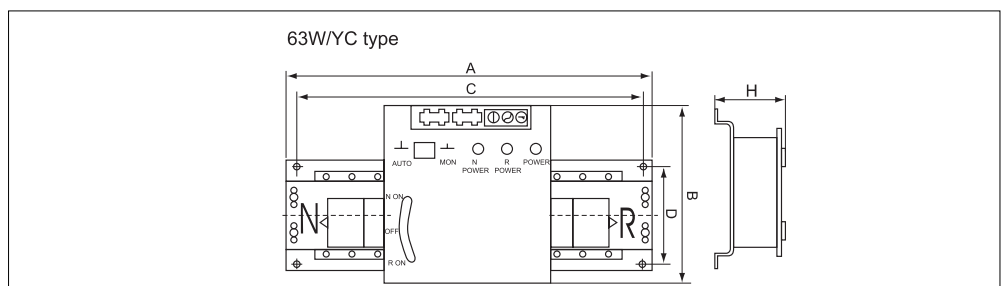
- ◆ The voltage of the automatic controller and motor operation controller is AV220V.
- ◆ The life of the switch (N-R-N) is 5000 times.
- ◆ The minimum transfer time is 3s.

#### Specification:

Type	NQ3		
Specification		63	100
Working breaker		MM5	MM5
Frame current	A	63	100
Rated working voltage	V	400	400
Rated breaker current	A	6,10,16,20, 25,32,40,50,63	63,80,100
Rated limit short circuit braking capability	KA	W	W
		6	10

#### Overall and mounting dimensions:

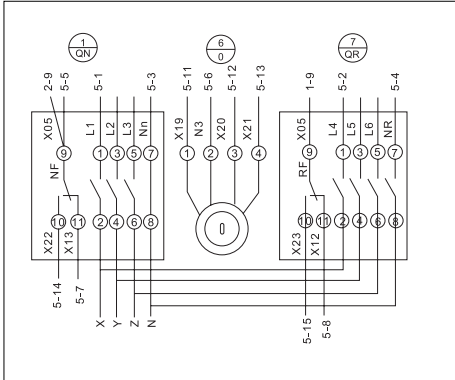
Type	NQ3		
Specification		63	100
Dimension	A(Length)3P/4P	290	372
	B(Width)	165	195
	C(Length)3P/4P	275	342
	D(Width)	115	140
	H(Height)	120	125



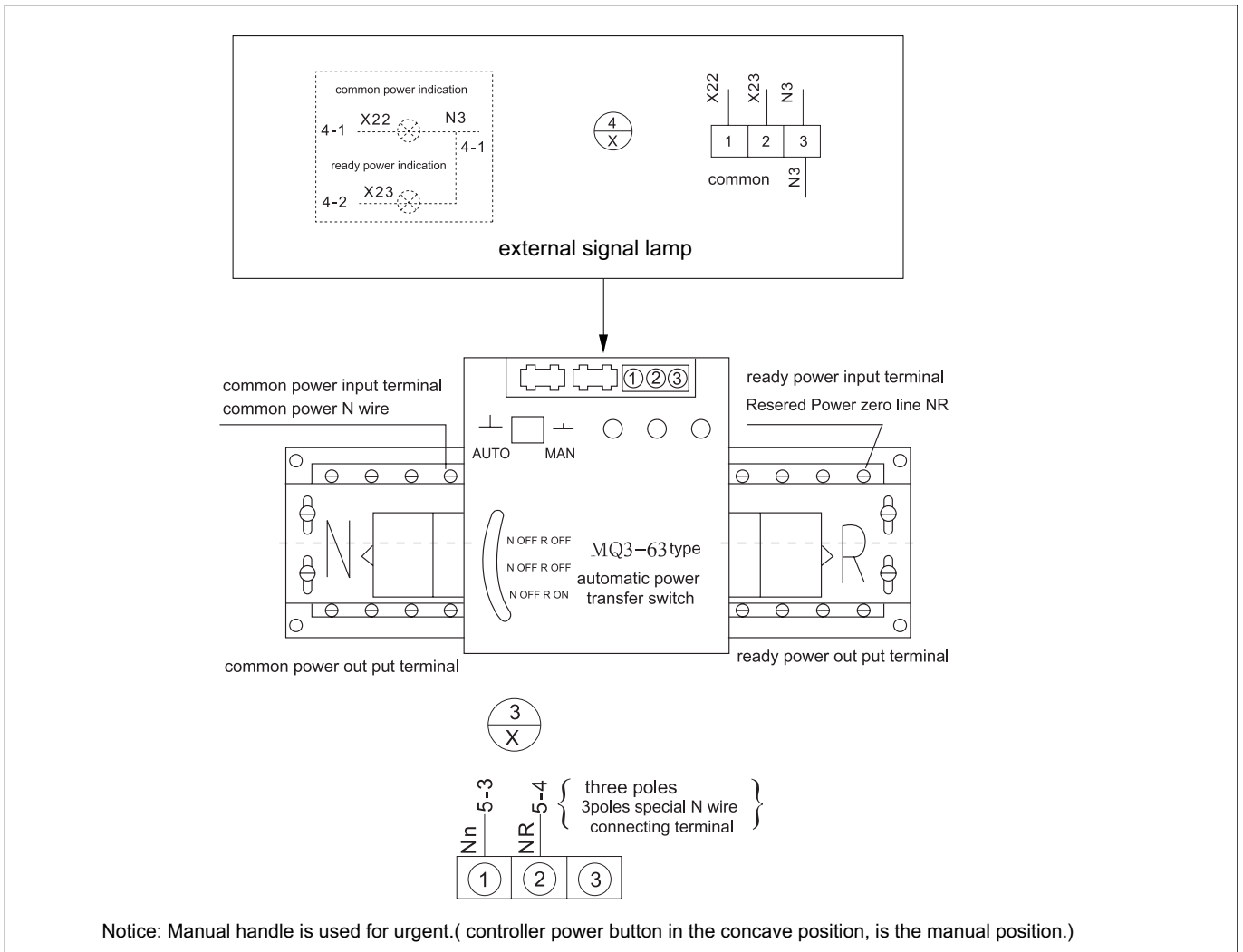
# ATS Dual Power Automatic Transfer Switch

## Operation and connection

### ◆ NQ3-63 connection diagram



Connection number	1-1	2-1	3-1	1-7	3-2	2-7	1-9	6-2	1-11	2-11			6-1	6-3	6-4	1-10	2-10	
Poles			3	4	3	4												
Order number	L1	L4	Nn	Nn	NR	NR	X05	N3	X13	X12			X19	X20	X21	X22	X23	
Terminal number	1	2	3	3	4	4	5	6	7	8	9	10	11	12	13	14	15	



## Maintenance:

The transfer switch panel has two 1A fuses and one trinodal connection terminal. The fuse is used to automatic controller short circuit protection, and the terminal is indicate the signal lamp connects into the controller box panel, and supply the power, the voltage is AC220V, current is 150Ma. And 1 is common power signal lamp power, 2 is ready power signal lamp power.