

1. Application

JR36 series thermal relay is suitable for AC 50Hz or 60Hz, main circuit rated voltage up to 660V, current up to 160A, used as protecting AC three-phase motor against overload, and has the functions of breaking phase protection, temperature compensation. It can automatically and manually reset, too. The product conforms to GB14048.4, IEC60947-4 standard.



2. Specification

2.1 Main Technical Specifications

| Type | JR36-20 | JR36-32 | JR36-63 | JR36-160 |
|------------------|-----------|---------|---------|----------|
| Setting Range(A) | 0.25~0.35 | 10~16 | 14~22 | 40~63 |
| | 0.32~0.5 | 14~22 | 20~32 | 53~85 |
| | 0.45~0.72 | 20~32 | 28~45 | 75~120 |
| | 0.68~1.1 | | 40~63 | 100~160 |
| | 1~1.6 | | | |
| | 1.5~2.4 | | | |
| | 2.2~3.5 | | | |
| | 3.2~5 | | | |
| | 4.5~7.2 | | | |
| | 6.8~11 | | | |
| | 10~16 | | | |
| 14~22 | | | | |

2.2 MOTION CHARACTERISTIC:THREE-PHASE BALANCE MOTION TIME

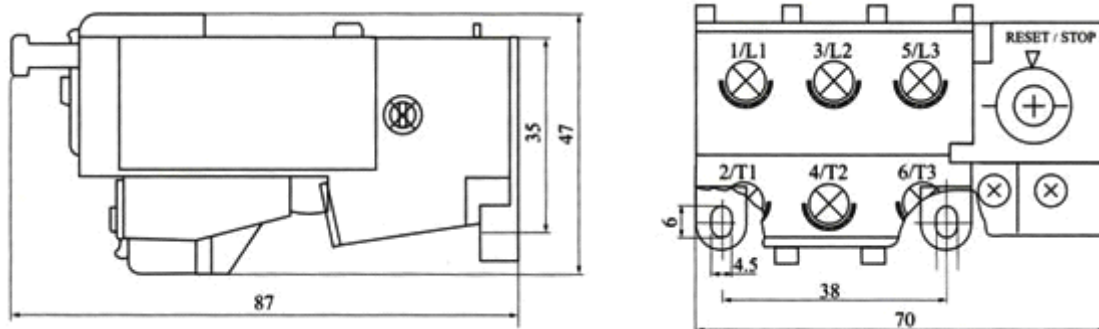
| No | Times the setting current | Motion time | | | Start condition | Ambient temperature |
|----|---------------------------|-------------|---------------|-------|---|---------------------|
| 1 | 1.05 | >2h | | | cold state | 20±5°C |
| 2 | 1.2 | <2h | | | heat state (Following the No.1 test) | |
| 3 | 1.5 | <4min | | | | |
| 4 | 7.2 | 10A | 2s < Tp ≤ 10s | ≤ 63A | cold state | |
| | | 10 | 4s < Tp ≤ 10s | >63A | | |

2.3 PHASE-LOSING MOTION CHARACTERISTIC

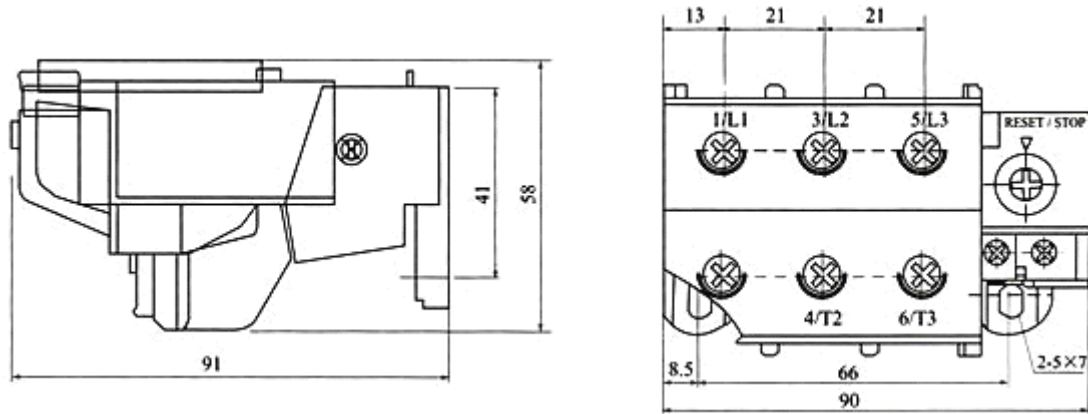
| No | Times the setting current | | Motion time | Start condition | Ambient temperature |
|----|---------------------------|---------------|-------------|---|---------------------|
| | Any two phase | Another phase | | | |
| 1 | 1.0 | 0.9 | >2h | cold state | 20±5°C |
| 2 | 1.15 | 0 | <2h | heat state (Following the No.1 test) | |

3. Installation

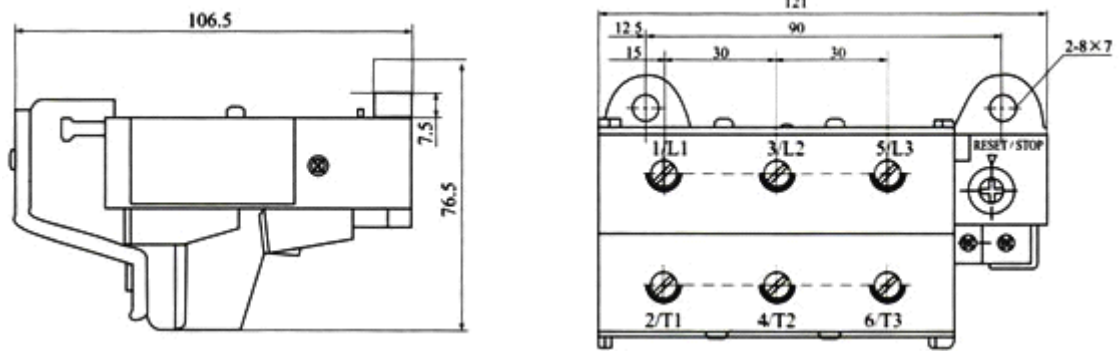
3.1 OUTLINE AND MOUNTING DIMENSIONS



JR36-20



JR36-63



JR36-160